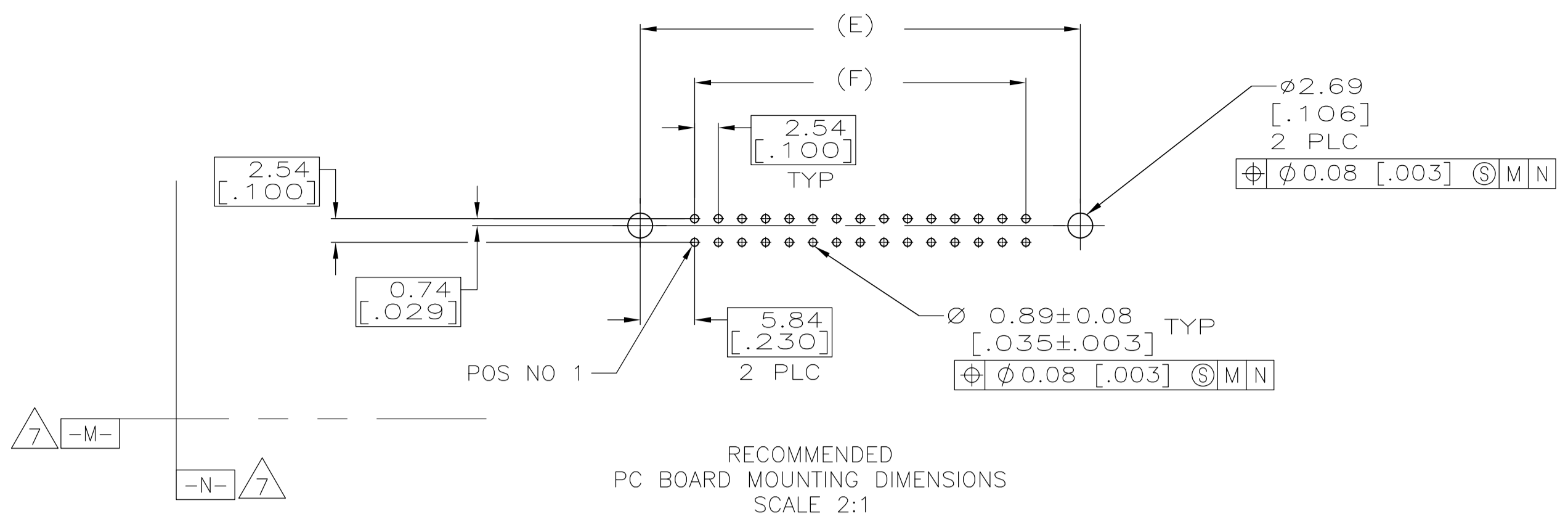
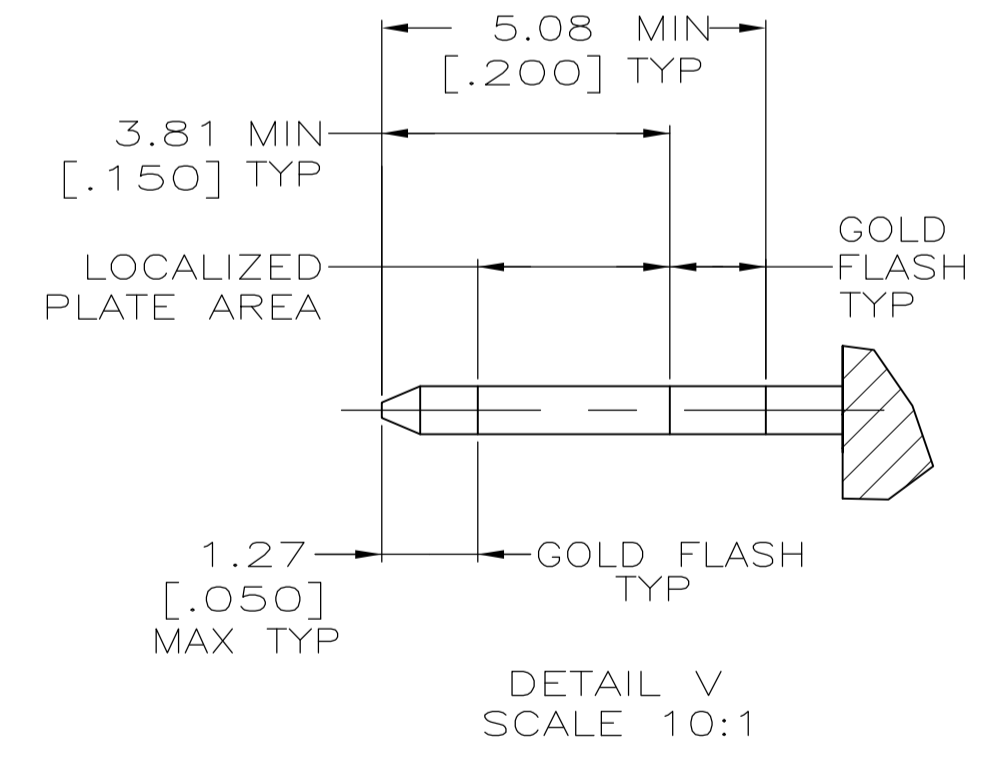
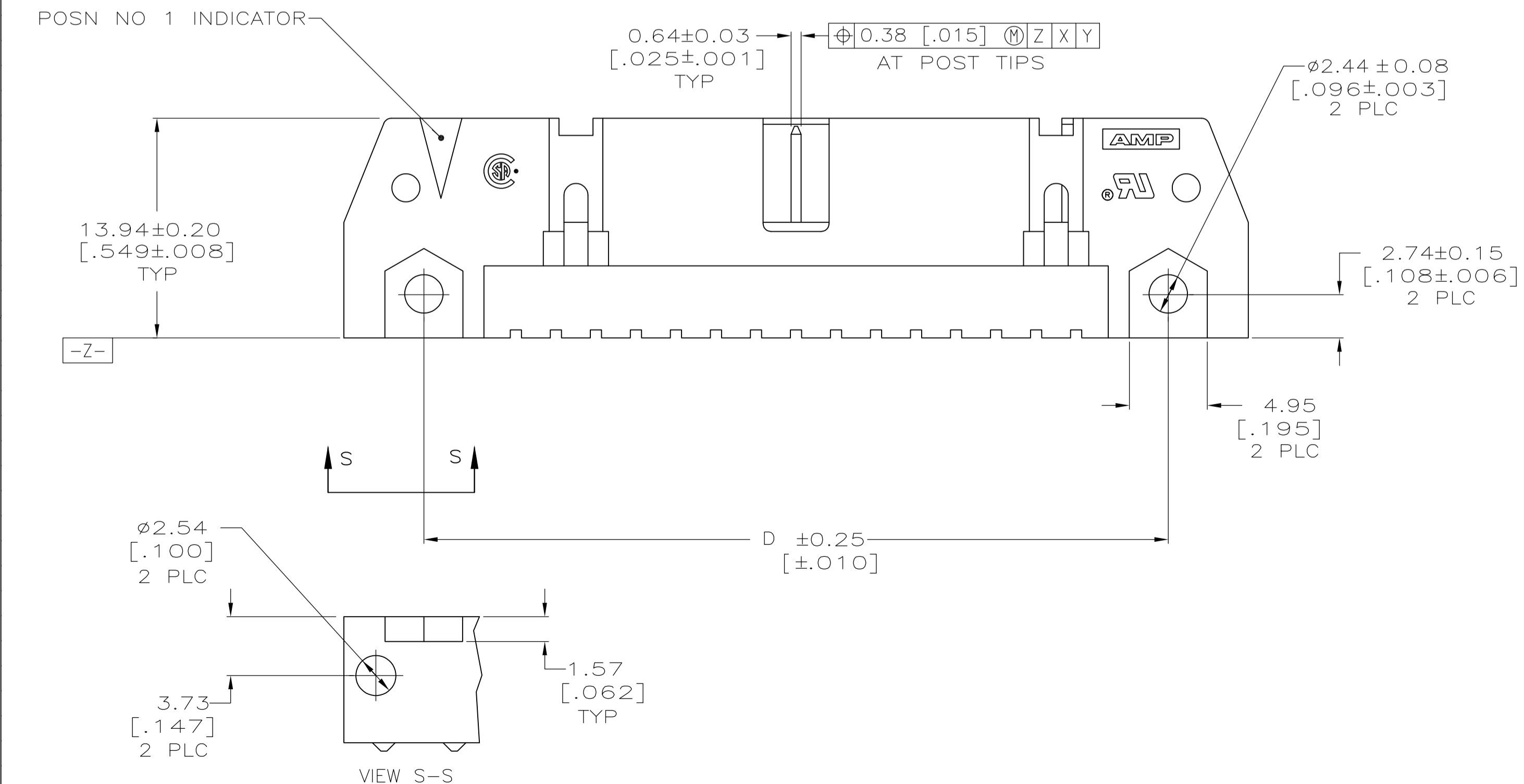
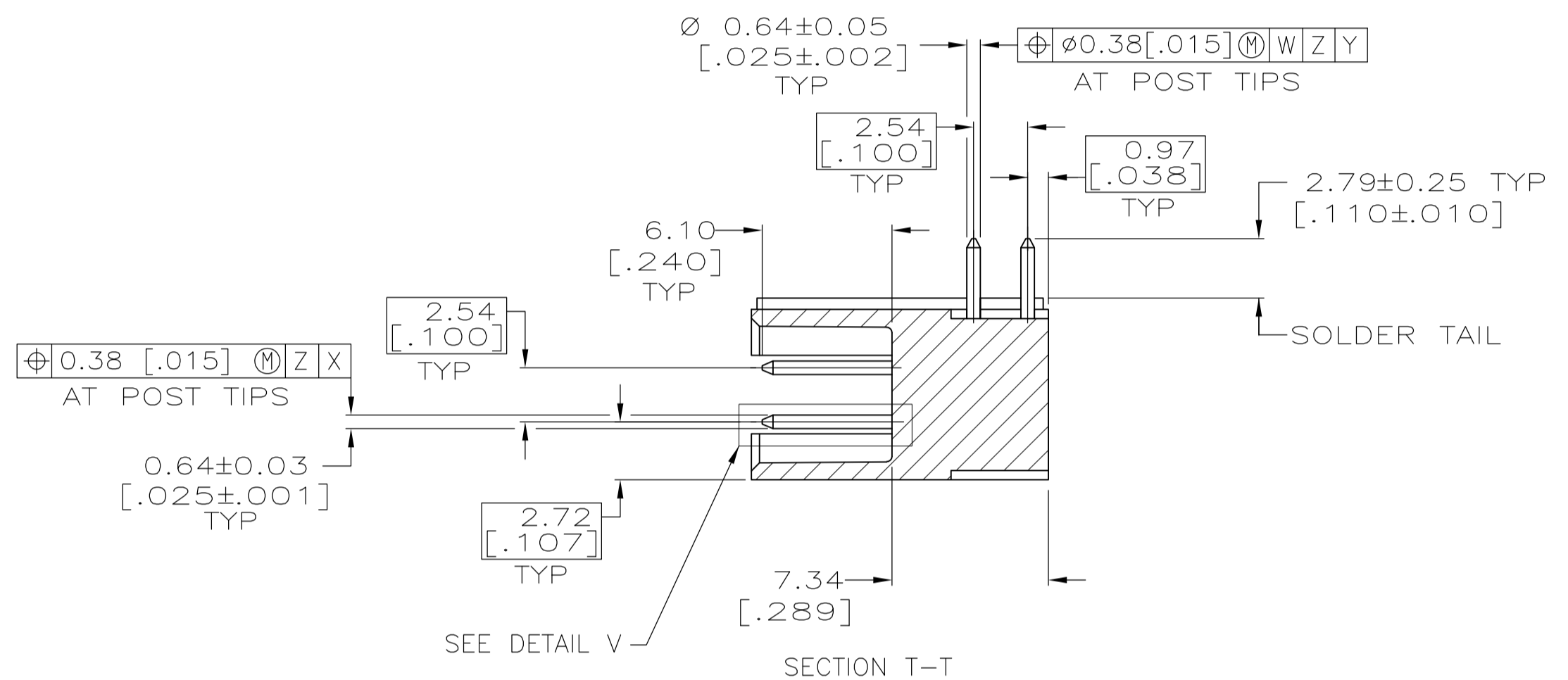
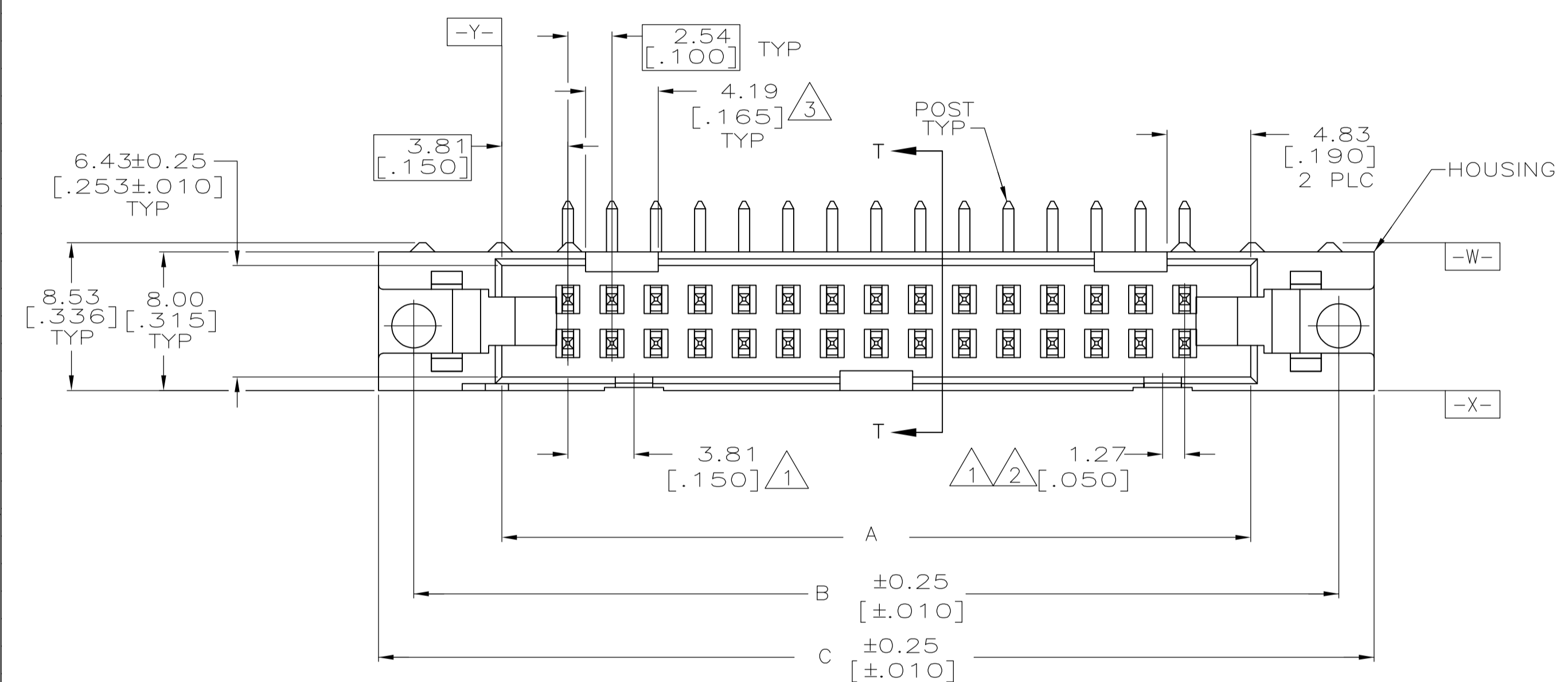


LOC		DIST		REVISIONS			
F	LTR	DESCRIPTION	DATE	DWN	APVD		
D1	REVISED PER	ECO-11-004835	11MAR11	RK	HMR		



- 1. COORDINATE DIMENSION APPLIES FROM BASIC LOCATION.
- 2. 10 AND 14 POSITION SIZES CONTAIN ONLY ONE SLOT FOR SNAP-IN POLARIZER (MILITARY POLARIZATION) LOCATED AS SHOWN.
- 3. 10 POSITION SIZES CONTAIN ONLY ONE SLOT FOR DUAL POLARIZATION, LOCATED AS SHOWN.
- 4. RECOMMENDED PRINTED CIRCUIT BOARD THICKNESS IS 1.57 [ .062 ].
- 5. MATERIAL:  
HOUSING: GLASS FILLED NYLON OR POLYESTER, 94V-0 RATED, BLACK.  
POSTS: BRASS.
- 6. POSTS:  
GOLD FLASH OVER PALLADIUM-NICKEL PLATE, 0.38μm [ .000015 ] MIN TOTAL ON THE LOCALIZED PLATE AREA,  
2.54μm [ .000100 ] MIN TIN PLATE ON THE SOLDER-TAILS,  
1.27μm [ .000050 ] MIN NICKEL UNDERPLATE ON THE ENTIRE POST.  
OR  
0.38μm [ .000015 ] MIN GOLD PLATE ON THE LOCALIZED PLATE AREA,  
2.54μm [ .000100 ] MIN TIN PLATE ON THE SOLDER-TAIL,  
1.27μm [ .000050 ] MIN NICKEL UNDERPLATE ON THE ENTIRE POST.
- 7. DATUMS -M- & -N- TO BE ESTABLISHED BY CUSTOMER.



F	E	D	C	B	A	NO OF POSN	PART NUMBER
78.74 [3.100]	90.42 [3.560]	90.42 [3.560]	100.58 [3.960]	96.52 [3.800]	86.36 [3.400]	64	1-5102159-2
73.66 [2.900]	85.34 [3.360]	85.34 [3.360]	95.50 [3.760]	91.44 [3.600]	81.28 [3.200]	60	1-5102159-1
60.96 [2.400]	72.64 [2.860]	72.64 [2.860]	82.80 [3.260]	78.74 [3.100]	68.58 [2.700]	50	1-5102159-0
48.26 [1.900]	59.94 [2.360]	59.94 [2.360]	70.10 [2.760]	66.04 [2.600]	55.88 [2.200]	40	5102159-9
40.64 [1.600]	52.32 [2.060]	52.32 [2.060]	62.48 [2.460]	58.42 [2.300]	48.26 [1.900]	34	5102159-8
35.56 [1.400]	47.24 [1.860]	47.24 [1.860]	57.40 [2.260]	53.34 [2.100]	43.18 [1.700]	30	5102159-7
30.48 [1.200]	42.16 [1.660]	42.16 [1.660]	52.32 [2.060]	48.26 [1.900]	38.10 [1.500]	26	5102159-6
27.94 [1.100]	39.62 [1.560]	39.62 [1.560]	49.78 [1.960]	45.72 [1.800]	35.56 [1.400]	24	5102159-5
22.86 [ .900 ]	34.54 [1.360]	34.54 [1.360]	44.70 [1.760]	40.64 [1.600]	30.48 [1.200]	20	5102159-4
17.78 [ .700 ]	29.46 [1.160]	29.46 [1.160]	39.62 [1.560]	35.56 [1.400]	25.40 [1.000]	16	5102159-3
15.24 [ .600 ]	26.92 [1.060]	26.92 [1.060]	37.08 [1.460]	33.02 [1.300]	22.86 [ .900 ]	14	5102159-2
10.16 [ .400 ]	21.84 [ .860 ]	21.84 [ .860 ]	32.00 [1.260]	27.94 [1.100]	17.78 [ .700 ]	10	5102159-1

THIS DRAWING IS A CONTROLLED DOCUMENT.

DIMENSIONS: mm (INCHES)

TOLERANCES UNLESS OTHERWISE SPECIFIED:

0 PLC	± .005
1 PLC	± .003
2 PLC	± .002
3 PLC	± .0015
4 PLC	± .001
ANGLES	± .005

MATERIAL: 5 FINISH: 6

WEIGHT: A1 00779

RESTRICTED CUSTOMER

SCALE: 4:1 SHEET: 1 OF 1 REV: D1

STE TE Connectivity

NAME: M. WALMSLEY

PRODUCT SPEC: 108-40018

APPLICATION SPEC: -

SIZE: A1

CAGE CODE: 00779

DRAWING NO: 5102159

RESTRICTED TO: -